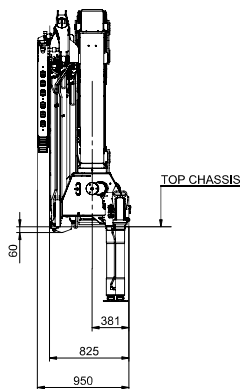
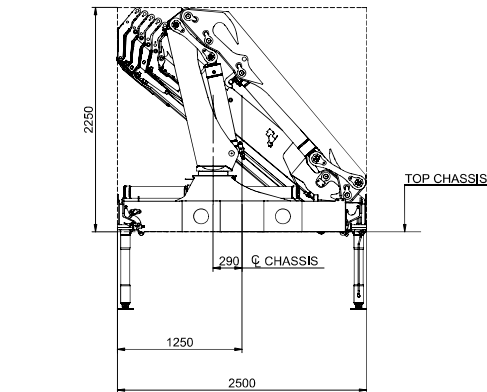
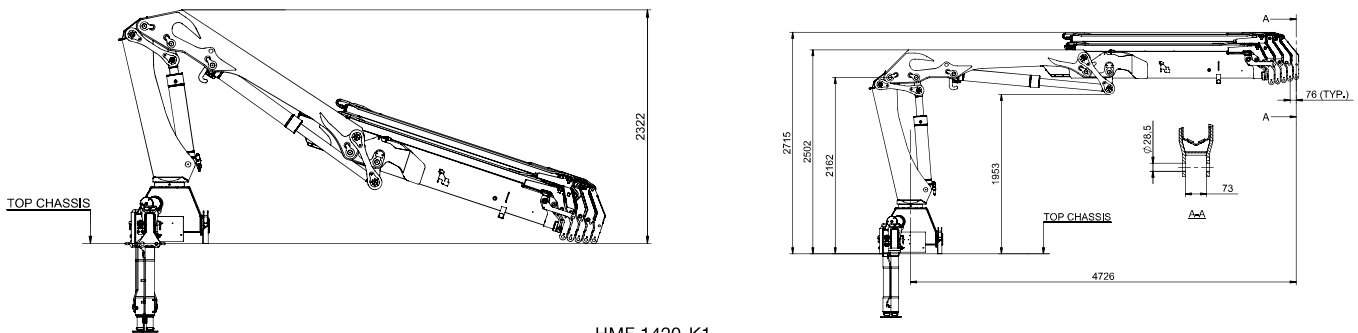
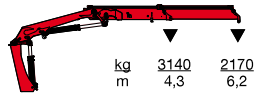


Loading group B3	Unit	1420-K1	1420-K2	1420-K3	1420-K4	1420-K5	1420-K6
Load moment	tm	13.5	13.0	12.6	12.2	11.8	11.5
Hydraulic reach	m	6.2	8.3	10.4	12.7	14.9	17.2
Slewing torque	kgm	1794	1794	1794	1794	1794	1794
Slewing angle	°	400	400	400	400	400	400
Max. heel at max. moment	°	5	5	5	5	5	5
Working pressure	Bar	330	330	330	330	330	330
Recommended pump performance	l/min	45	45	45	45	45	45
Height above chassis	mm	2245	2245	2245	2245	2245	2245
Length of loader, no extra valves	mm	820	820	820	820	820	820
Length of loader, with extra valves	mm	945	945	945	945	945	945
Width	mm	2500	2500	2500	2500	2500	2500
Stabilizer spread, standard	mm	4615	4615	4615	4615	4615	4615
Stabilizer spread, single	mm	5590	5590	5590	5590	5590	5590
Stabilizer spread, double	mm	6470	6470	6470	6470	6470	6470
Weight of standard loader excl. stabilizers*	kg	1360	1500	1640	1775	1895	1990
Weight of stabilizers, standard*	kg	200	200	200	200	200	200
Weight of stabilizers, single*	kg	235	235	235	235	235	235
Weight of stabilizers, double*	kg	300	300	300	300	300	300

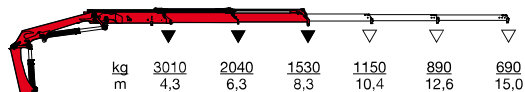
\*Weight excl. fittings, optional extras and oil



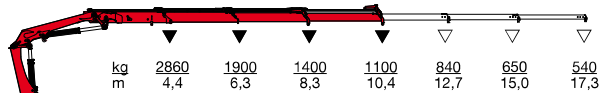
HMF 1420-K1



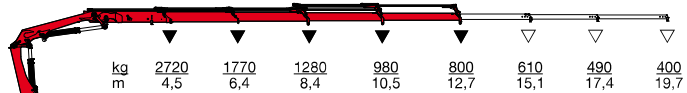
HMF 1420-K2



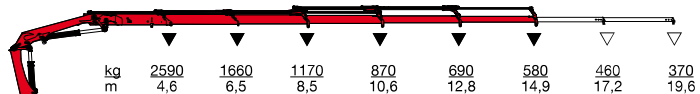
HMF 1420-K3



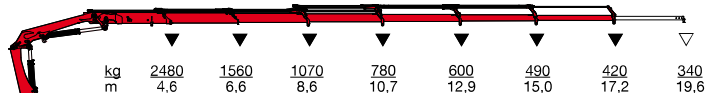
HMF 1420-K4



HMF 1420-K5



HMF 1420-K6



▼ Lifting capacity without manual extensions  
 ▽ Lifting capacity with manual extensions

- power to lift.